

TEAM Industries, Inc.

P.O. Box 350
1200 Maloney Rd.
Kaukauna, WI 54130

LIMITED WARRANTY: Subject to the terms and conditions hereof, Team Industries, Kaukauna, WI warrants its products to be free from defects in workmanship and material at the time of delivery by Team Industries.

Team Industries will honor warranty claims on products as a result of failure from a defect for a time period of 90 days from the date of sale to the original user. Upon return of the merchandise at the user's expense, Team Industries reserves the right to either repair or replace as necessary. This is the only warranty either expressed or implied covering this product.

Positioner Specifications:

Horizontal Weight Capacity, (Lbs.) Note: C/G of load not to be more than 4" from Center of Turntable.	440
Vertical Weight Capacity, (Lbs.) Note: C/G of load not to be more than 4" from Center of Turntable.	250
Motor, (Horsepower)	1/8
Power Requirement, (Volts/Amps)	115V @ 5 amps
Rotation Speed Range, (RPM)	0 - 5
Table Diameter, (in.)	13-3/4"
Tilting Angle	0 - 90°
Tilting Method	Manual
Table Grounding	Carbon Brush
Table Height @ Horizontal, (in.)	13-7/32"
Unit Length, (in.)	21"
Unit Width, (in.)	12-7/16"
Shipping Weight, (Lbs.)	113

Positioner Dimensional Drawings:

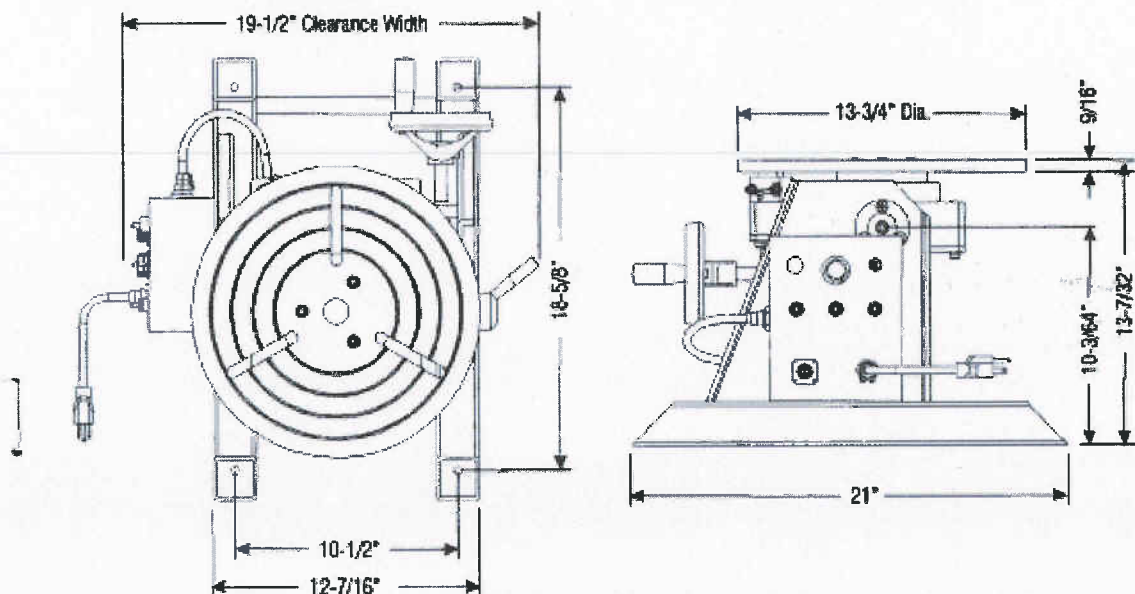


Figure No. 1 Dimensional Drawings